

M23 servo cable

specification: 6FX5002-5CA05-1AF0

Power cable for SINAMICS S120 and Motors with M23 connection

The resistance to aggressive media should be individually tested for your application. Further details on request.

Female straight – male straight

M23 – M23, 6-pole

4-pole used

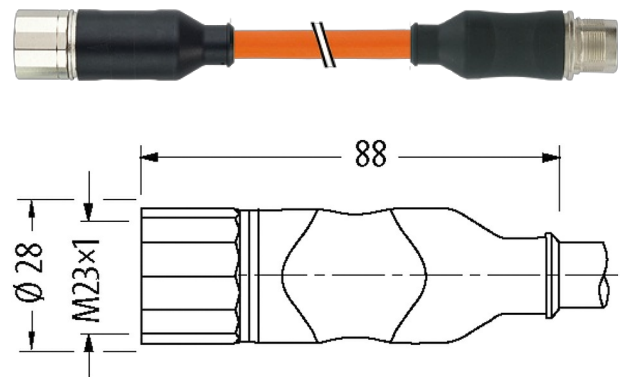
shielded

without brake wires

without cable sleeves

Further cable lengths on request.

Plastic housings with good resistance against chemicals and oils.

Link to Product**Illustration**

Product may differ from Image

Form

Form PS105

General data

Pollution Degree	3
Temperature range	-25...+85 °C, depending on cable quality

Cables

Cable number	865
No./diameter of wires	(4G1.5+C)
Wire isolation	TPM (bk num, gnye)
C-track properties	0.1 Mio.
Torsion stress	±30 °/m
Jacket Color	orange
Material (jacket)	PVC (UL/CSA) (=MC500)
Specification	6FX5008-1BB11
Outer Ø	8.0 mm ±5%
Bend radius (fixed)	5 × outer Ø
Bend radius (moving)	18 × outer Ø
Temperature range (fixed)	-25...+80 °C
Temperature range (mobile)	-5...+60 °C
Shield	yes

Approval (cable)	UL (AWM-Style 2570/10492), CSA
Diameter (core)	4 × 2.5 mm ²

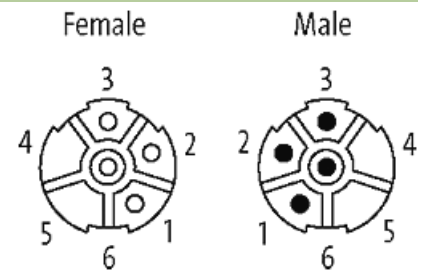
Technical Data

Operating voltage	max. 630 V AC/DC
Rated surge voltage	6.0 kV
Operating current per contact	Power cores: 12 A (1.5 mm ²), 15 A (2.5 mm ²)
Material group	IEC 60664-1, category I
Locking of ports	Screw thread (M23×1 mm) recommended torque 2.0 Nm, self-securing
Compression gland	M23 (SW27)
Protection	IP65 and IP67 when plugged and screwed down (EN 60529)
Locking material	Brass, nickel plated
Material	PUR
suitable for corrugated tube (internal Ø)	16 mm; 23 mm

Commercial data

country of origin	DE
customs tariff number	85444290
EAN	4048879507417
eClass	27279218
Packaging unit	1

Sketch



Product may differ from Image